



new!

PTC Product Focus: [A\) Data Exchange Options in Wildfire 2.0](#)

[B\) Customizing the Windchill R7.0 Search Results](#)

new!

Tips of the Week: [A\) Pro/ENGINEER Wildfire Cross-Release Interoperability](#)

[B\) Reducing the Number of “Your Session Has Expired” Messages from Windchill 7.0 Search](#)

Announcements: [Most Recent Announcements](#)

new!

Upcoming Events & Training Schedule: [Events & Training Schedule](#)

PTC Product Focus

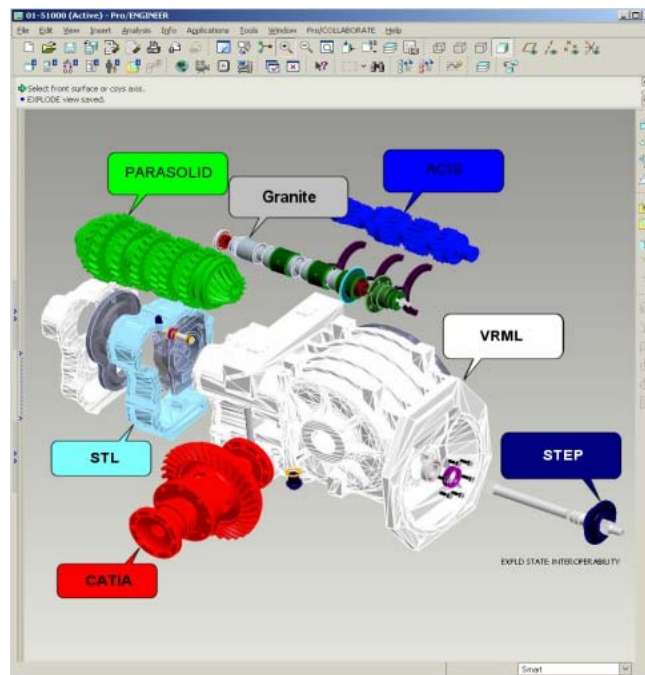
Data Exchange Options in Wildfire 2.0

This month we will look at data exchange options in Pro/ENGINEER Wildfire 2.0.

Data exchange is addressed in four ways.

- Standards based exchange
- Kernel based exchange
- Direct transfer
- Associative Topology Bus (ATB) enabled exchange

These exchange options allow you to work with CAD data from virtually any source – exact or approximate, 2D or 3D



Standards Based Exchange

These types of exchanges are accomplished through a neutral file format. While companies may participate in the formation of the standard, the standard is not owned by any supplier of CAD/CAE/CAM tools. In this arena you have many options:

- 2D / Imaging
 - IGES, SET, STEP, AutoCAD®DXF, CGM, JPEG, TIFF, CGM. PDF (with a user supplied distiller), TIFF
- 3D
 - IGES, STEP (AP202, AP203, AP214, AP209 [geometry only]), SET, VDA, ECAD (IDF 2.0, 3.0), SET, VDA, COSMOS/M, PATRAN® and SUPERTAB™, STL, VRML, Render, SGI Inventor, Pro/ENGINEER neutral

Kernel Based Exchange

These exchanges are accomplished through a neutral file format as well. The format is controlled by an individual company. Pro/ENGINEER Wildfire has support for:

- ACIS
 - import and export of *.sat
 - Parts and assemblies with body color
 - An extended version if ACIS including parameters, datums, and both cross-sections and sketches as curves is now available in Wildfire 2.0
- Parasolid
 - Import and export of *.xmt, *.x_b, *.x_t
 - Parts and assemblies with body color
- And of course Granite
 - Parts and assemblies with body and face color
 - Geometry layers
 - Object-level, Feature-level and entity-level parameters

Direct Exchange

These exchange options allow you to open the file from the other CAD tool without the need for a neutral file. No export of the other CAD model is required.

- AutoCAD® DWG
- MEDUSA and Stheno
- CATIA® V4 (platform and version restrictions apply)
- Unigraphics®
 - Parts and assemblies
 - Requires a license of UG
- I-DEAS®
 - Import of pkg and mf1 files
 - Parts and assemblies
 - Requires a license of I-DEAS
- PDGS
- CADAM®

ATB Enabled Exchange

This exchange has the added benefit of providing an associative link back to the originating system. If the original file changes you are notified and have the option to update your Pro/ENGINEER model to the new configuration. This month's tip and technique provides more detail.

- CATIA®V4 and V5 CATpart
 - CATIA files can be opened without having CATIA installed on your machine
- Unigraphics®
 - Import and export
 - Requires a license of Unigraphics
- Pro/DESKTOP, CDRS, ICEM Surf
- CADD5 5i (Windows support via a downloadable plugin)

Pro/ENGINEER Wildfire 2.0 backward compatibility to Pro/ENGINEER 2000i²

[Back To Top](#)

PTC Product Focus

Customizing the Windchill R7.0 Search Results

[Click Here To View](#)

[Back To Top](#)

Tips of the Week

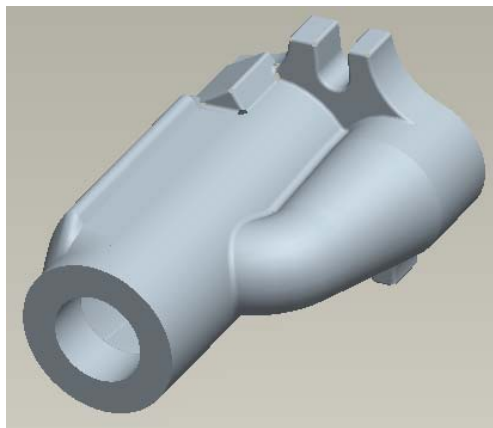
Pro/ENGINEER Wildfire Cross-Release Interoperability

Are you curious about this ATB functionality?

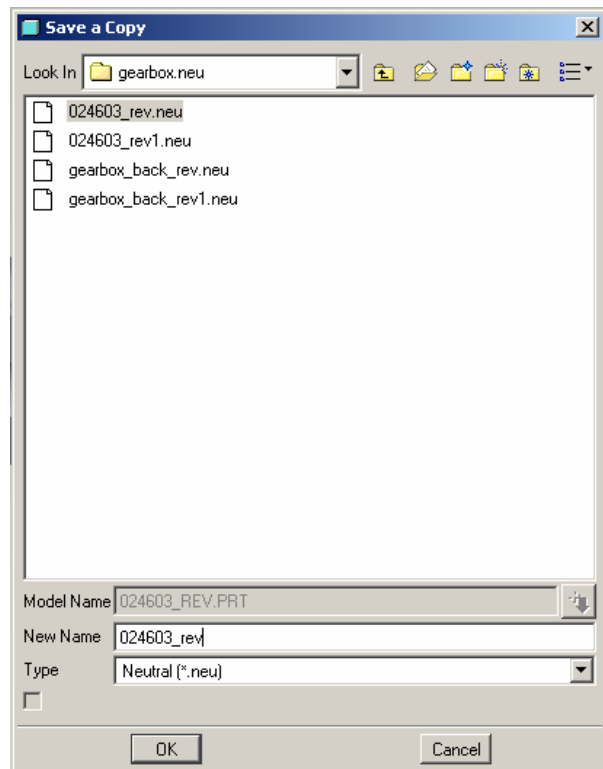
Do you have a vendor or supplier that is delaying your move to Wildfire because they are on an earlier version of Pro/ENGINEER?

Below is an example showing the use of the ATB to move a part model from Wildfire 2.0 to Pro/ENGINEER 2001. You will see that the imported model in Pro/ENGINEER 2001 maintains an associative link to the Wildfire model. This same associativity can be maintained when importing models from competitive CAD tools with the ATB as described above.

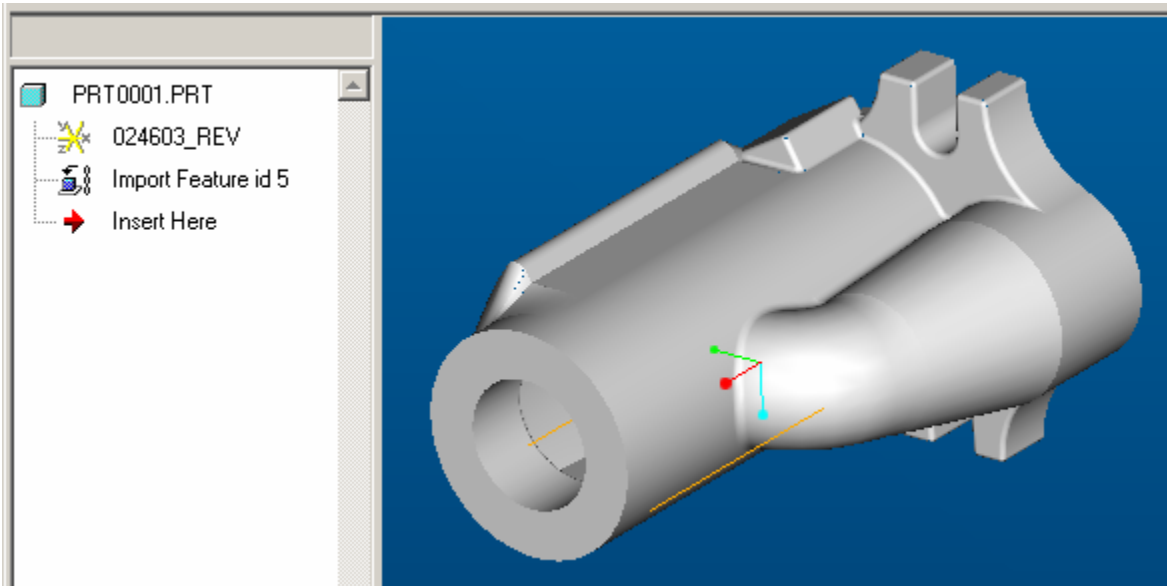
Here is our model in Pro/ENGINEER Wildfire:



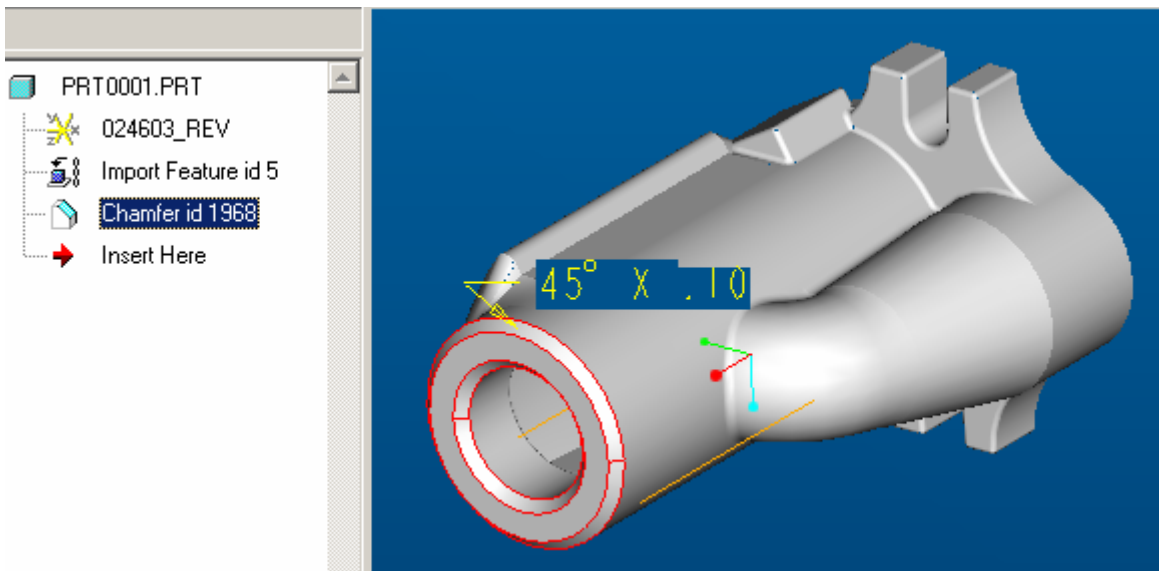
I'll use file/save a copy to create a Pro/ENGINEER neutral file (.neu extension)



Next, I'll launch Pro/ENGINEER 2001 and open the neutral file. Neutral files can be opened directly. Be sure to set the config option **topobus_enable** to **yes** before launching Pro/E.

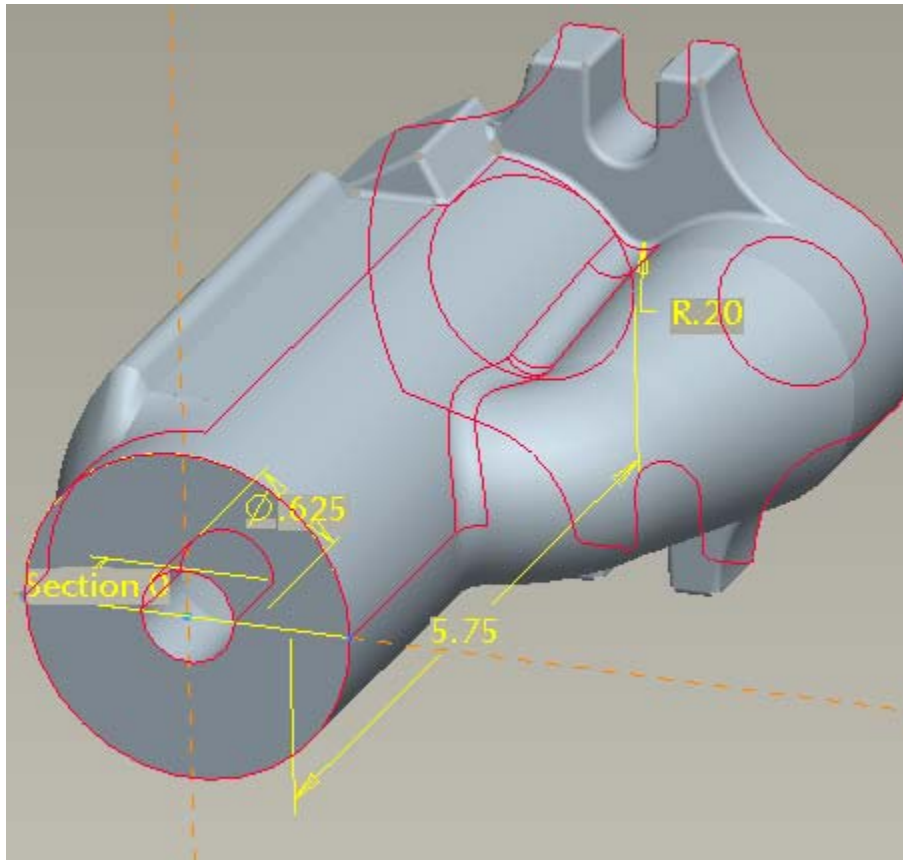


Note the icon for the import feature is blue.
To make this more interesting, add some features in Pro/ENGINEER 2001 by placing chamfers on the forward edges.



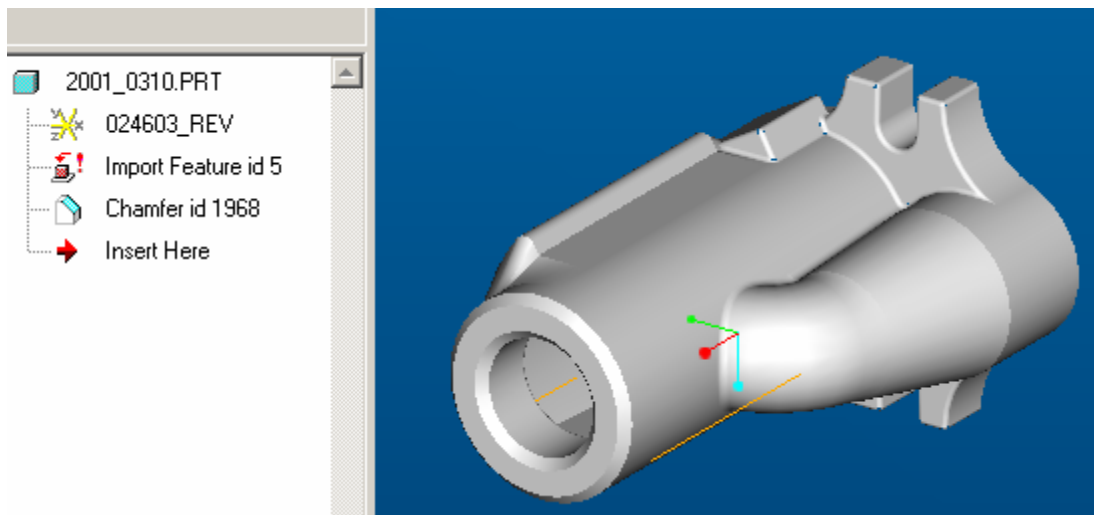
The model is saved and I exit Pro/ENGINEER 2001 for the day.

Meanwhile, work in Wildfire 2.0 continues. Dimensional modifications are made.

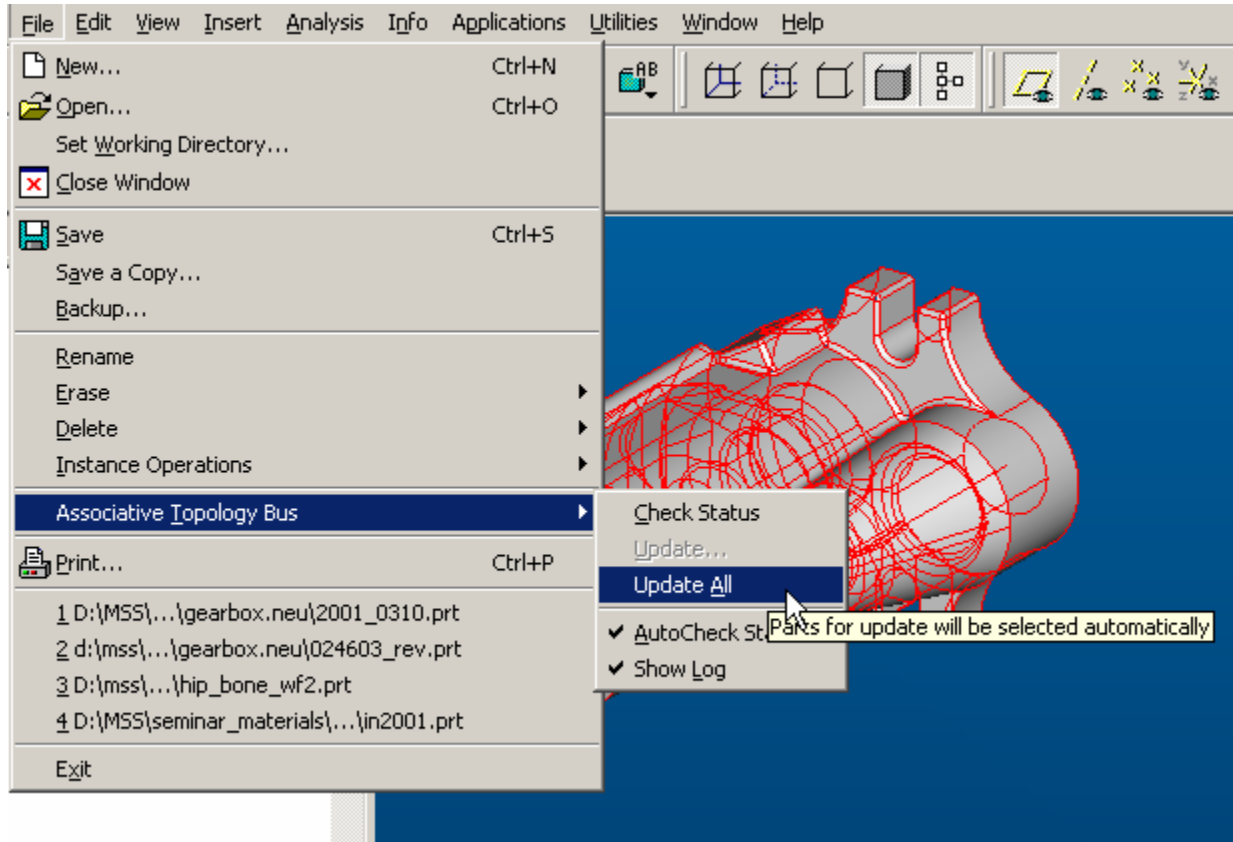


The 0.20 radius was originally 0.10
 The 5.75 in length dimension was 5.44
 The 0.625 in dia hole was 1.25 in dia.

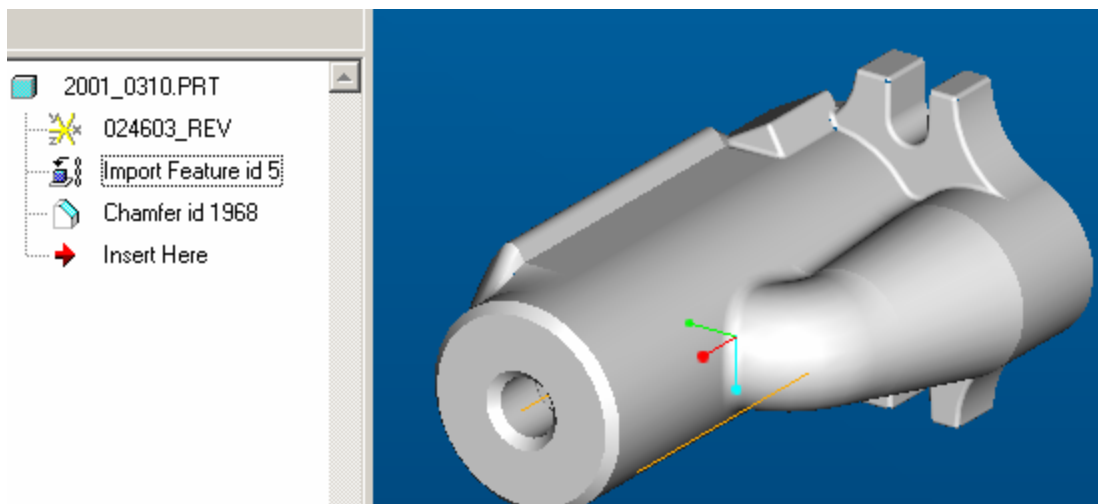
What happens to the model in Pro/ENGINEER 2001? I'll export a new neutral file and we'll see. When I open the Pro/ENGINEER 2001 model the icon for the import feature in the model tree notifies me that the feature is out of date by turning red. Pro/ENGINEER has noticed that a later (by time stamp in windows) neutral file of the same name as the neutral file imported earlier is present.



In Pro/ENGINEER 2001 choose "File/Associative Topology Bus/Update All" to update your import feature to the new size. In Wildfire 2.0 you would simply right click on the feature and choose update.



The model is updated. Note that the chamfers, which were children of the import did not lose their references. No user interaction was required to update the model beyond selecting Update All as described above. The import feature's icon has turned blue again.



This same level of associativity can be achieved when importing models from other CAD tools via the ATB.

The ATB translators provide savings in design rework time because of the benefits of rapid associative update. This is particularly true for on-going design iteration where the user would have to manually re-import through a typical neutral file after each design cycle and reroute any added feature content.

[Back To Top](#)

Tips of the Week

Reducing the Number of “Your Session Has Expired” Messages from Windchill 7.0 Search

[Click Here To View](#)

[Back To Top](#)

Announcements

Educational Resource Library

Learn things you always wanted to do - but didn't know you could.

This one stop educational resource library will help you learn more about PTC Solutions and provide you with technical materials developed by the product experts to help you become more productive.

Get tutorials, how-to videos and expert advice for:

- Pro/ENGINEER
 - Conceptual and Industrial Design
 - Detailed Design
 - Simulation/Analysis
 - Production
 - Design Collaboration
- Windchill PDMLink
- Windchill ProjectLink
- Pro/INTRALINK
- PTC Online Tools

Check out the [Educational Resource Library](#) today.

Live Instructor-Lead Virtual PTC Training Courses

PTC will be offering a series of Virtual Classrooms this quarter for you looking to save money (15% off ILT prices) and cut down on travel.

Virtual Classrooms provide interactive learning with a trained PTC instructor in convenient and manageable sessions that last approximately 4 hours over a series of days. It's easy to join a class right from your desk using a phone or voice-over IP technology.

Sessions are performed just like a traditional ILT (including interactive exercises where you and the instructor can work on lab exercises together) and feature some of our most popular ILT courses. These sessions cover the exact same material as the traditional ILT in-center courses. Also look for some of our most frequently requested mini-topics delivered in the same format that are only an hour - two hours in duration.

If you have any questions about these sessions or would like to see getting other courses, not on this list, on the schedule please feel free to contact me for more details. They are a great way to bring training to you without you having to worry about location or being out from work for long stretches.

You can register for these sessions just as you would for any normal ILT class either by:

1. calling order admin at <http://www.ptc.com/services/edserv/training/registra.htm> or

2. you can go to PTC University directly at <http://www.ptc.com/learning> and submit a registration request directly. All you have to do is search the catalog by typing in "virtual" in the search field and you will see a listing.

PTC Tips & Techniques Newsletter Archives

Miss an issue! Can't find that awesome technique you read about? Fear not, you can click on the link below and go through our Customer PTC E-Newsletter archives.

[Click Here To Access](#)

It's better than finding the Covenant of the Ark!

PTC Tips & Techniques Webcasts: Work Smarter. Not Harder.

Click below to see regularly scheduled Tips & Techniques technical Webcasts that are designed to provide you with the most popular time-saving tricks that Pro/ENGINEER users of all skill levels will find useful. Get more out of your maintenance dollars!

[Tips & Techniques: Work Smarter Not Harder!](#)

Thinking About Pro/ENGINEER Wildfire? Check this out.



<http://www.ptc.com/go/engineering/index.htm>

E-PROFILES IS HERE!!

We have been eagerly anticipating the debut of the new electronic version of Profiles Magazine and now it is here! This new web site will supplement the print edition of the magazine and will provide new useful features not feasible with paper media. e-Profiles will provide you with 24x7, worldwide access to key information previously available exclusively in the print version. "Tips & Tricks," a popular feature pioneered by Pro/USER, has also moved to the web and will be expanded as the site matures.

Please take a few minutes to check out this new web site. We don't think you will be disappointed.

<http://profilesmagazine.com/>

[Back To Top](#)

Upcoming Events & Training Class Schedules

Upcoming, 2005 Your local Pro/Engineer User Groups
<http://www.ptcuser.org/rugs/>

June 5 - 8, 2005 Orlando, FL
PTC/USER International Conference
<http://www.ptcuser.org/>

Events

Our seminars and conferences seek to provide you with relevant information regarding product development trends in your industry as well as innovative software learning experiences. Think of them as a constructive day off where you can share experiences and swap ideas with your peers.

If you can't manage to get away, we'll bring it to you. Check back often for regularly scheduled live webcast events.

[You're Invited to Attend...](#)

Please visit the [PTC Education Services](#) website for the latest training information including course descriptions, schedules, locations, and pricing.

- Attend a course at any PTC Center and receive a **free** copy of Pro/ENGINEER Wildfire Student Edition!

<http://www.ptc.com/services/edserv/index.htm>

Live Instructor-Lead Virtual PTC Training Courses

PTC will be offering a series of Virtual Classrooms this quarter for you looking to save money (15% off ILT prices) and cut down on travel.

Virtual Classrooms provide interactive learning with a trained PTC instructor in convenient and manageable sessions that last approximately 4 hours over a series of days. It's easy to join a class right from your desk using a phone or voice-over IP technology.

Sessions are performed just like a traditional ILT (including interactive exercises where you and the instructor can work on lab exercises together) and feature some of our most popular ILT courses. These sessions cover the exact same material as the traditional ILT in-center courses. Also look for some of our most frequently requested mini-topics delivered in the same format that are only an hour - two hours in duration.

If you have any questions about these sessions or would like to see getting other courses, not on this list, on the schedule please feel free to contact me for more details. They are a great way to

bring training to you without you having to worry about location or being out from work for long stretches.

You can register for these sessions just as you would for any normal ILT class either by:

1. calling order admin at <http://www.ptc.com/services/edserv/training/registra.htm> or
2. you can go to PTC University directly at <http://www.ptc.com/learning> and submit a registration request directly. All you have to do is search the catalog by typing in “virtual” in the search field and you will see a listing.

PTC

Note: This PTC E-Newsletter will continue to be used for the following:

- 1) Inform you on events related to PTC products (user groups, conferences, training schedules, etc.)
- 2) Educate you on solutions that are available at PTC
- 3) Tips & Techniques using PTC Products

Note: These messages are compiled in the local PTC office and will be distributed via e-mail.

[Back To Top](#)